



PG Type
Motors

Reference Characteristics

Motor Size	PG35L — D48	
Reduction Ratio	1 / 35.4	1 / 89.8
Drive Method	2 — 2 PHASE	
Drive Circuit	UNIPOLAR CONST. VOLT.	
Drive Voltage	12 [V]	
Step Angle (2phase drive)	0.2118°	0.0835°
DC Resistance	70 [Ω]	
Insulation Resistance	100M [Ω] MIN	
Dielectric Strength	AC 500 [V] 1 [min]	
Class of Insulation	CLASS B (U — except lead wire)	
Operating Temp.	0 [°C] ~ 50 [°C]	
Storage Temp.	- 30 [°C] ~ 80 [°C]	
Operating Hum.	20 [%] RH ~ 90 [%] RH	

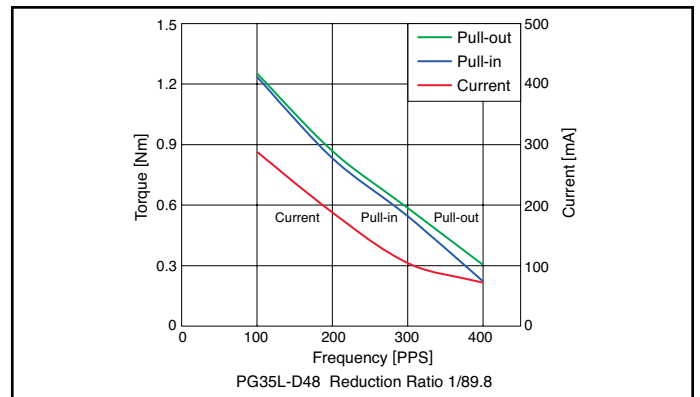
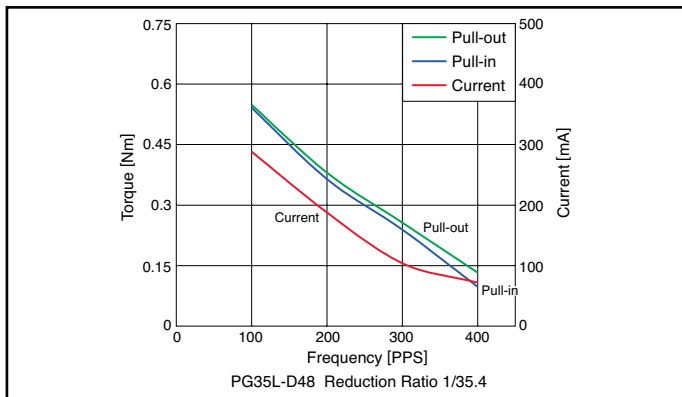
Applications

Home electric appliances : Air-conditioners

OA Equipment : Printers / Photocopiers

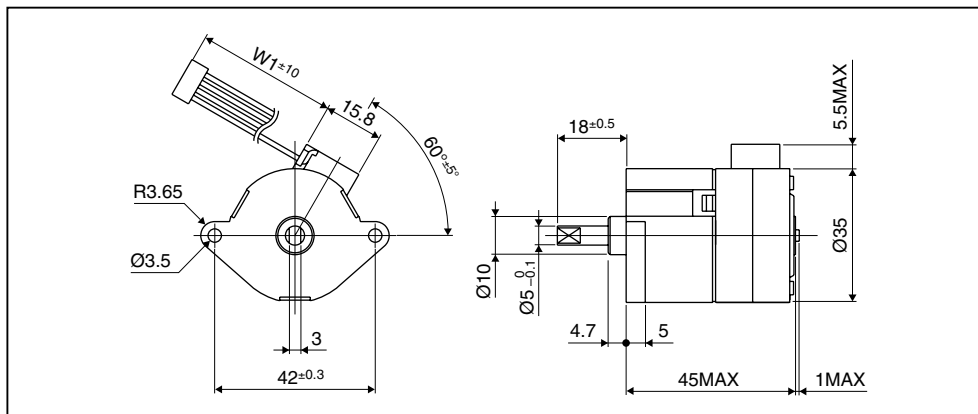
Power Tools : Drills / Drivers

Torque Characteristics



These torque values are reference only. Heat radiation conditions and temperature rise effect by duty are different on each equipment, therefore please select motors after considering the actual equipment.

Dimensions



Please contact our sales for inventory and lot information. Specification may be changed without notice.



PG Type
Motors

Reference Characteristics

Motor Size	PG35S — D48	
Reduction Ratio	1 / 35.4	1 / 89.8
Drive Method	2 — 2 PHASE	
Drive Circuit	UNIPOLAR CONST. VOLT.	
Drive Voltage	12 [V]	
Step Angle (2phase drive)	0.2118°	0.0835°
DC Resistance	70 [Ω]	
Insulation Resistance	100M [Ω] MIN	
Dielectric Strength	AC 500 [V] 1 [min]	
Class of Insulation	CLASS B (U — except lead wire)	
Operating Temp.	0 [°C] ~ 50 [°C]	
Storage Temp.	- 30 [°C] ~ 80 [°C]	
Operating Hum.	20 [%] RH ~ 90 [%] RH	

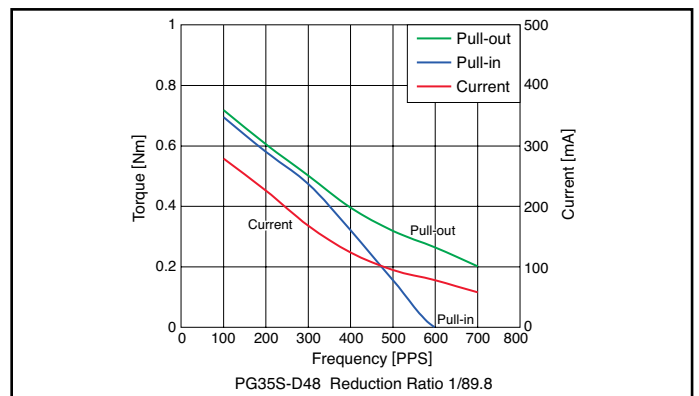
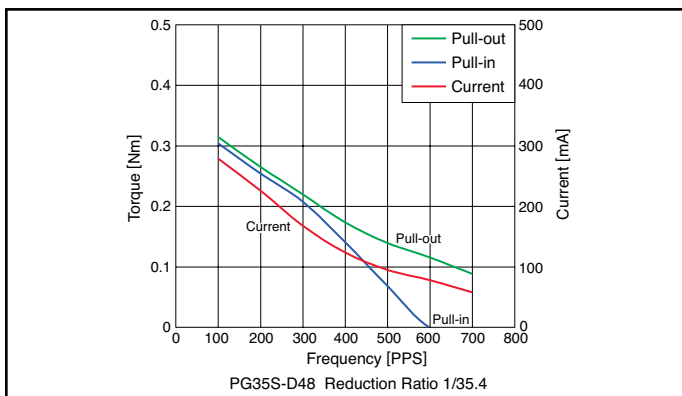
Applications

Home electric appliances : Air-conditioners

OA Equipment : Printers / Photocopiers

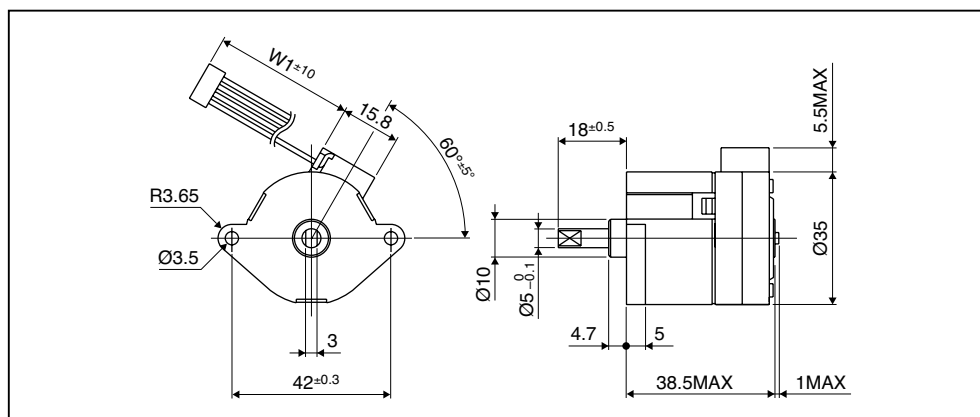
Power Tools : Drills / Drivers

Torque Characteristics



These torque values are reference only. Heat radiation conditions and temperature rise effect by duty are different on each equipment, therefore please select motors after considering the actual equipment.

Dimensions



Please contact our sales for inventory and lot information. Specification may be changed without notice.